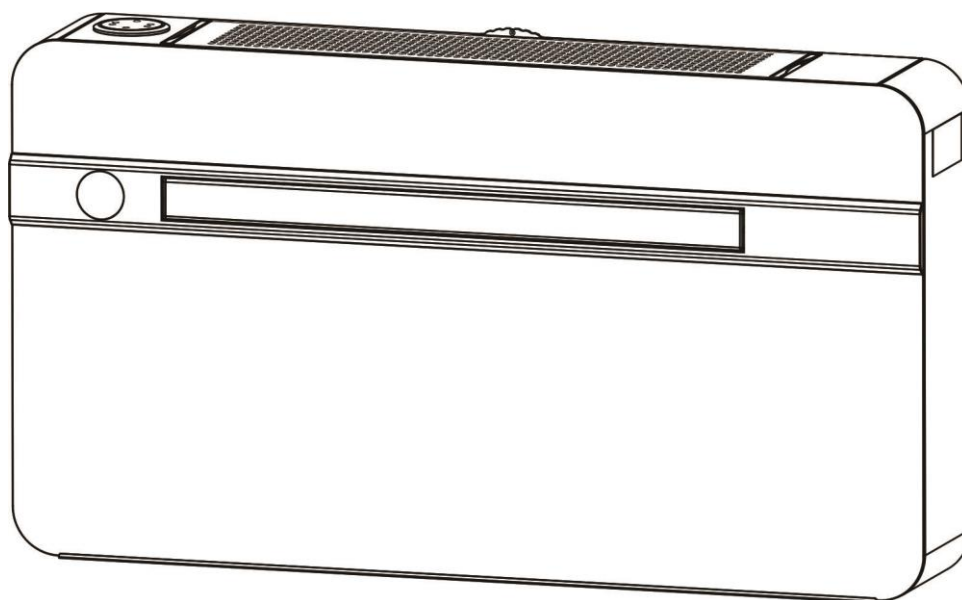


# Installation and User Manual

**MODEL:**     **Silent**  
                  **Silent Hybrid**



BEFORE INSTALLING AND USING THIS AIR CONDITIONER PLEASE READ ALL INSTRUCTIONS CAREFULLY

# CONTENTS

## 1. GENERAL INFORMATION

1.1 INTRODUCTION.....	3
1.2 IMPORTANT SAFETY INSTRUCTIONS.....	3
1.3 RECEIVING THE GOODS.....	4
1.4 HANDLING.....	4
1.5 LIST OF ACCESSORIES.....	4
1.6 TECHNICAL FEATURES.....	5

## 2. INSTALLATION

2.1 POSITIONING OF THE AIR CONDITIONER.....	6
2.2 PAPER TEMPLATE.....	6
2.3 DRILLING THE WALL.....	8
2.4 FASTENING THE BRACKET.....	9
2.5 INSTALLATION OF THE PIPES.....	9
2.6 FITTING THE AIR CONDITIONER ON BRACKET.....	10
2.7 FITTING THE GRATINGS.....	10

## 3. CONTROL OPERATION AND MAINTENANCE

3.1 INSTRUCTION OF LCD ICONS.....	11
3.2 REMOTE CONTROL FUNCTIONS.....	12
3.3 ON BOARD CONTROL FUNCTION.....	13
3.4 HEATING MODE PROGRAM SETTING.....	14
3.5 TEMPERATURE COMPENSATION SETTING.....	14
3.6 MAINTENANCE .....	15
3.7 FRESH AIR SYSTEM.....	16
3.8 PROBLEM SOLVING .....	16

## 4. ACCESSORY INSTALLATION

4.1 SILENT HYBRID WATER CONNECTION.....	17
4.2 SOFT GRATINGS INSTALLATION.....	18

## **1. GENERAL INFORMATION**

### **1.1 INTRODUCTION**

PLEASE NOTE: Do not dispose of any packaging until the installation of the air conditioner is completed.

After having removed the packing, check that all the content is intact and complete. (See list of accessories). In the event of missing parts, contact your retailer.

This air conditioner has been designed to cool or heat the air of a room and should only be used for this purpose.

The manufacture cannot be held liable for damage caused to property or injury to persons or animals due to incorrect installation, regulation and maintenance or improper use.

This air conditioner contains R32 refrigerant, at the end of its life, the disposal of this air conditioner must be in accordance with the strict regulation governing the recycling of this product, please operate with caution during the disposal. Please contact your local authority or regulatory advice.

Do not switch on before having totally assembled the air conditioner and before installing in its correct operating position.

Before starting the appliance, check that it is correctly earthed, according to the legislation in force in the country concerned.

### **1.2 IMPORTANT SAFETY INSTRUCTIONS**



When using electrical appliances, basic safety precautions should always be followed:

Do not place objects on the product or allow objects to obstruct the inlet or outlet openings.

Extreme care should be taken when any product is used by, or near children and pets, and whenever the product is left operating and unattended.

Please note:

Before operating the product remove the air conditioner from its packaging and check it is in good condition.

Do not let children play with the packaging, for example plastic bags.

Do not operate any product with a damaged cord or lug, or after the air conditioner malfunctions, has been dropped, or damaged in any manner. Return the air conditioner to an authorized service center for examination and repair to avoid a hazard.

Do not attempt to repair or adjust any electrical or mechanical functions on this air conditioner as this may void warranty, contact your service engineer.

Always operate the product from a power source of the same voltage, frequency and rating as indicated on the product identification plate.

This air conditioner is not intended for use in wet or damp locations.

Do not place the air conditioner near an open flame, cooking or heating appliance, or hot surface.

Do not let the power cord hang over the edge of a table or counter. Arrange the power cord away from an area where it may be tripped over.

Never place the power cord under a carpet or rug. Do not operate the air conditioner in areas where petrol, paint, or other flammable liquids are used or stored.

Do not carry out any cleaning or maintenance, or access internal parts until the air conditioner has been disconnected from the mains electricity supply.

Do not alter the safety or regulating devices without the permission and instructions of the air conditioner manufacture.

Do not pull, remove or twist the electrical cable connected to the air conditioner, even if disconnected from the mains electricity supply.

Avoid prolonged direct contact with the flow of the air from the air conditioner and the room being closed with no ventilation for a long period of time.

Repair or maintenance work must be carried out by a service engineer or by qualified technicians in compliance with the instructions given in this booklet. Do not alter the appliance, since hazardous situations could be created while the manufacture of the appliance will not be liable for any damage or injury caused.

This instruction booklet is an integral part of the appliance and should therefore be carefully preserved and always accompany the appliance in the event of transfer to another owner or user or another installation engineer. Should the booklet be damaged or lost, please request an additional.

### 1.3 RECEIVING THE GOODS

The air conditioner is delivered in a protective packaging and is accompanied by an instruction manual.

**IMPORTANT NOTE : Preserved the original packaging for the period of warranty of 2 years. In the event of a fault or failure, the device must be taken to the nearest service center with its original packaging. The return of the product without original packaging, will void the warranty terms of 2 years.**

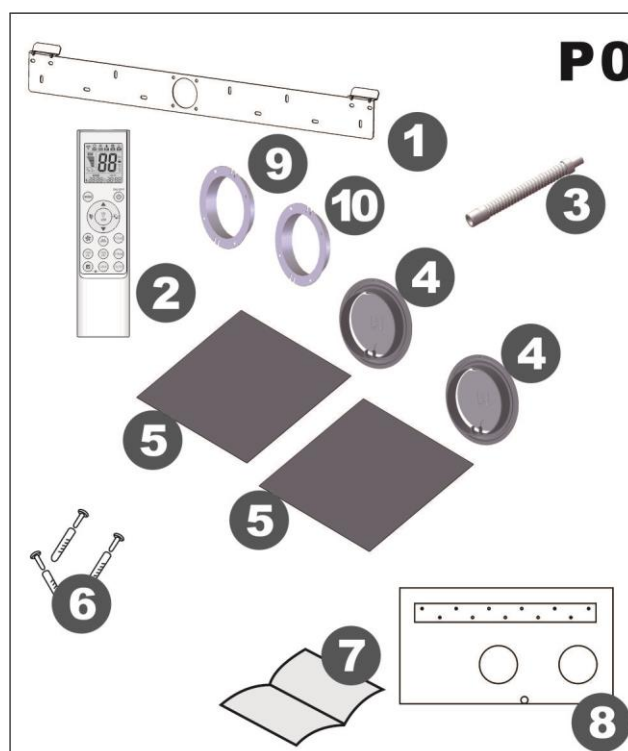
This manual is an integral part of the air conditioner and should therefore be carefully read and preserved. When the air conditioner is unpacked, please check that the air conditioner and the accessory pack are complete and undamaged.

### 1.4 HANDLING

Be fully aware of the weight of the air conditioner before attempting to lift it. Take all necessary precautions to avoid damaging the product or causing personal injury. It is advisable to remove the packaging only when the air conditioner has been located in the point of installation. Carefully remove the adhesive strips positioned on the air conditioner. Packaging components must be disposed correctly and not left within reach of children, since they are a potential source of danger.

### 1.5 LIST OF ACCESSORIES(P0)


1. FASTENING BRACKET
2. REMOTE CONTROL
3. DRAINAGE PIPE
4. EXTERNAL GRATING
5. AIR PIPE FILM
6. KIT OF SCREWS
7. INSTRUCTION MANUAL
8. PAPER TEMPLATE FOR WALL DRILLING
9. 160mm ring
10. 150mm ring



**Silent&Silent Hybrid** are conform to the European directives :

- Low voltage 2014/35EU and with amendments 92/31/EEC and 93/68/EEC.
- Electro-magnetic compatibility 2004/108/EC
- Use restrictions of hazardous substances in electrical and electronic equipment 2011/65/EC (RoHS2)
- Waste electrical and electronic equipment 2002/96/ EC (WEEE).
- Energy consumption indication on the labels of energy related products 2010/30/EU



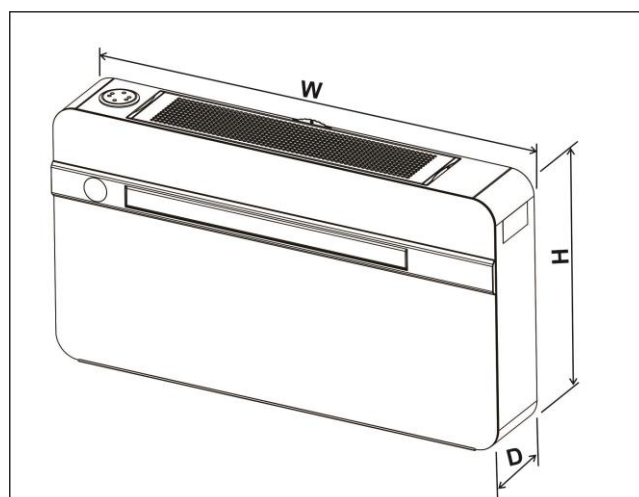
Waste electrical products should be disposed of with  household waste. Please recycle where facilities exist. Check with your local authority or retailer for recycling advice.

Do not dispose this product as unsorted municipal waste. Collection of such waste separately for special treatment is necessary.

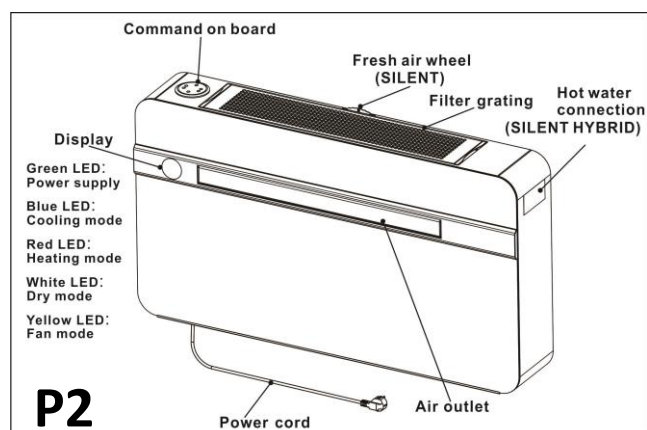
Any batteries used in the remote control contain materials, which are hazardous to the environment. They must be removed from the remote control when they reach the end of their life and disposed of responsibly.

## 1.6 TECHNICAL FEATURES(P1,P2)

Model	Silent	Silent Hybrid
Cooling capacity* W(BTU/h)	2100(6825)	2100(6825)
Heating capacity* W(BTU/h)	2100(6825)	2100(6825)
Electrical heat* W(BTU/h)	1500(5120)	1500(5120)
Hot water capacity** W(BTU/h)		1160(4000)
Rated voltage (V)	230	230
Absorbed power in cooling* (W)	805	805
Absorbed current in cooling* (A)	3.61	3.61
Absorbed power in heating* (W)	675	675
Absorbed current in heating* (A)	3.03	3.03
Air flow (m3/h)	360	360
Noise level (dB/A)	50	50
Dehumidification capacity* (L/24h)	9.6	9.6
Optional temperature (remote control)	18-30°C	18-30°C
Fuse (T3,15L)	250V	250V
Refrigerant	R32	R32
Global warmer potential I(GWP)	675	675
Dimensions H/W/D(cm)	55x100x16	55x100x16
Weight(kg)	46	47



**P1**



**P2**

\*The above data could be change without notice in order to improve the performances.

\*\* Hot water temperature is 50°C in/40°C out.

### STANDARD TEST CONDITIONS –EN 14511-

#### OPERATING CONDITIONS IN COOLING AND DEHUMIDIFICATION MODE:

-Inside 27°C DB, 19°C WB

-Outside 35°C DB, 24°C WB

#### OPERATING CONDITIONS IN HEATING MODE:

-Inside 20°C DB

-Outside 7°C DB, 6°C WB

## 2 INSTALLATION

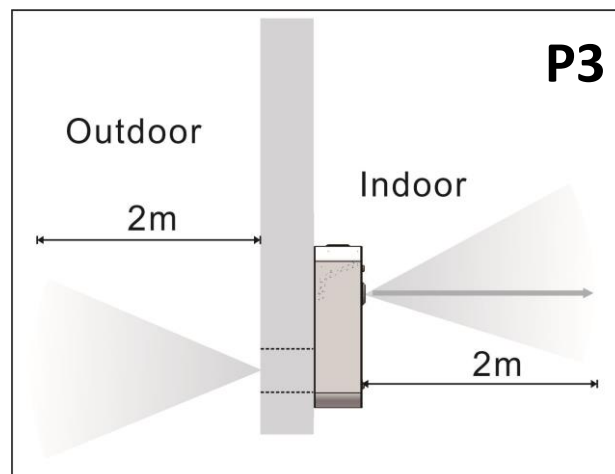
### 2.1 POSITIONING THE AIR CONDITIONER(P3)

To maintain the best performance from your air conditioner, prevent breakdowns or hazards, you must position it correctly. Please follow the guidelines and instruction below in full, as failure to do so could cause potential installation problems.

-The air conditioner must be installed on an exterior wall that has access to the outside with a minimum of a meters clearance to the outside.

-The air conditioner must be fitted leaving room all around as illustrated in the paper template.

-The wall on which the air conditioner is installed must be sturdy and able to withstand the weight of the air conditioner.



After determining the best place for installation as described above, please check to ensure that the wall can be drilled in the chosen area without interfering with other structures or installation (beams, piers, pipes, wires, etc.).

Please also ensure that there are no obstacles on the outside of the wall, which may obstruct air circulation through the drilled holes, for example: plants and their leaves, slats or paneling, drain pipes, overflows and gratings, etc. Any obstruction could interfere with the correct performance of the conditioner.

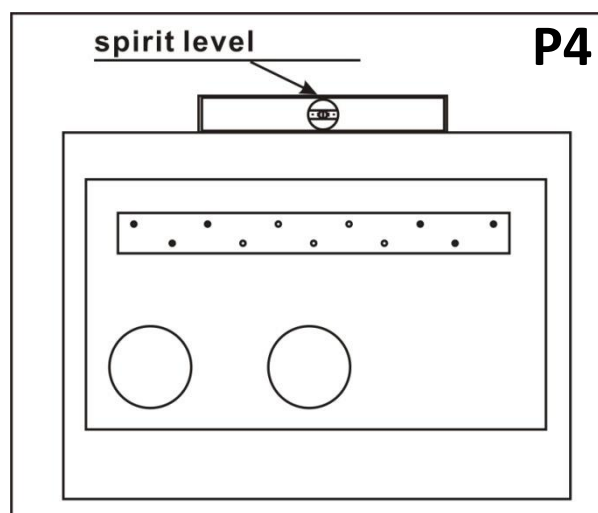
### 2.2 PAPER TEMPLATE (P4)

Fasten the template to the wall once the following guidelines have been thoroughly checked.

-Do not drill any holes until you are completely confident that there are no obstacles in the area you wish to drill and there are no obstructions, which could be hidden by the construction of the wall, for example: Electrical wiring, water & gas pipes or supporting lintels or beams.

-Ensure that a spirit level is used, as the air conditioner must be level.

-Follow the installation instruction in full.





## 2.3 DRILLING THE WALL (P5)

Please note: If you are drilling the hole above ground floor level, please ensure that an area has been secured and while the holes are drilled the outside area is supervised, until drilling has been completed.

### INTAKE AND OUTLET HOLES:

-This operation should be carried out using the proper tools (diamond tip or core borers drills with high twisting torque and adjustable rotation speed).

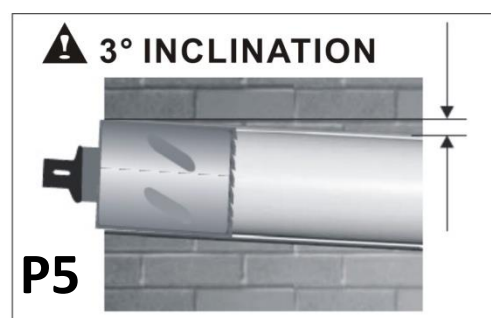
-Fasten the template to the wall taking care to check the distance from the floor or ceiling and keep it horizontal by using a spirit level.

-Use a pilot drill to mark the centre of each core hole to be drilled.

Use a core boring head having a diameter of 162mm to drill the two holes for intake and outlet the air.



It is recommended that the holes must have a slightly downward inclination of 3-5 degree to prevent any backflow of water from the pipes.



Indoor

Outdoor

### DRAINAGE HOLE

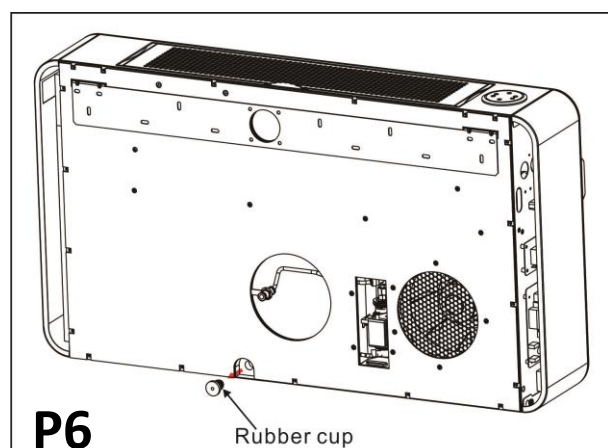
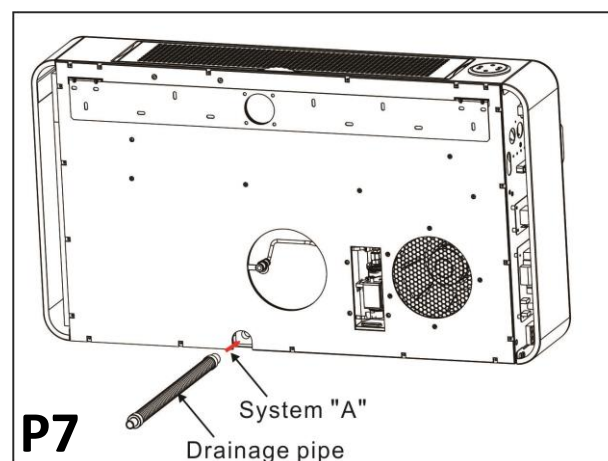
This air conditioner has a double drainage system to drain the condensate moisture automatically. Before install the air conditioner, choose which one is the suitable system for your installation. Please read carefully the following instructions.

#### System "A": (P6,P7)

Please unplug the rubber cup from drainage hole (P6).

Connect the drain pipe (from rubber terminal) to the back side of air conditioner.

System "A" is more common use, and the discharge pipe go outside where there is no problem to connect or to discharge it, this solution is ok for hot country and normal cold temperature outside. With this solution, you can drain the condensate moisture to a suitable place, do not cause any problem to your neighbors.





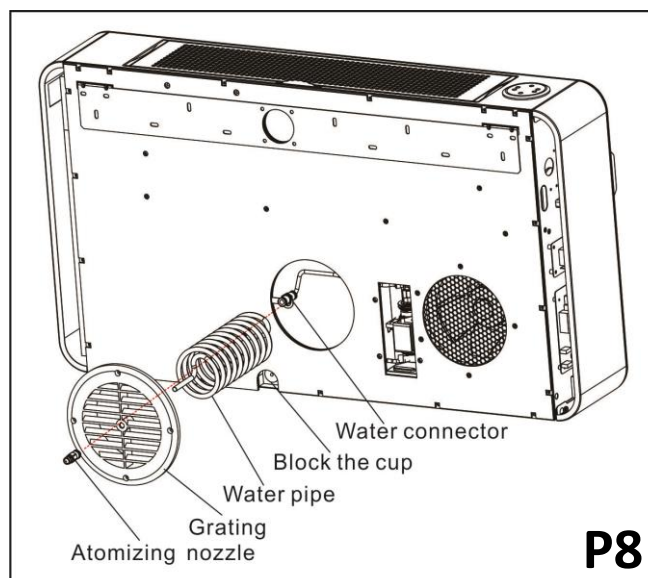
### System "B": Atomizing system (P8)

In case of impossibility to install the drainage pipe as showed on "A" system, atomizing system is available for this unit.

If use system "B", please block the black rubber cup from system "A".

Atomizing nozzle is fixed in the center of grating, connect the water pipe with atomizing nozzle first, then fix the grating on the wall (see 2.7).

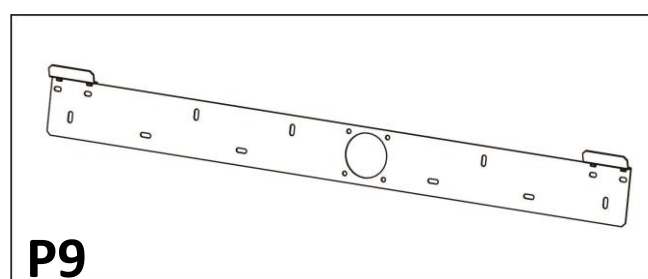
Before fitting the air conditioner on the bracket, it is necessary to connect the water pipe with water connector on the unit.



### 2.4 FASTENING THE BRACKET (P9)

-Drill the holes for anchoring the fastening bracket to the wall using preferably the 17 holes showed in black on the paper template.

-The anchor bolts provided require a 8mm hole. The wall should be inspected to determine if provided bolts are useful or if it is necessary to use a different anchorage. The manual manufacture is not liable in case of underestimation of the structural consistency of the anchorage made at the time of installation.



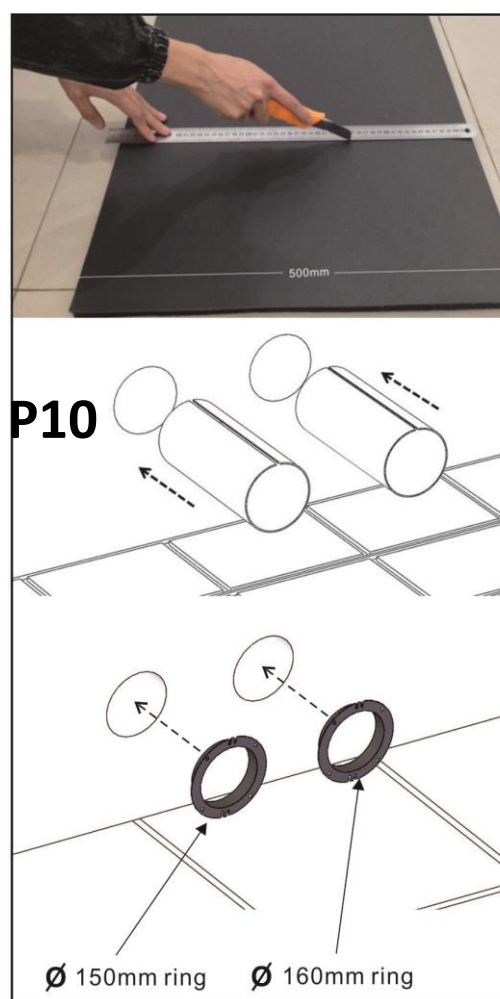
### 2.5 INSTALLATION OF THE PIPES (P10)

- After drilling the holes, the plastic sheet supplied with the air conditioner need to be fitted through them.

- Measure the depth of the wall and cut supplied plastic sheet.

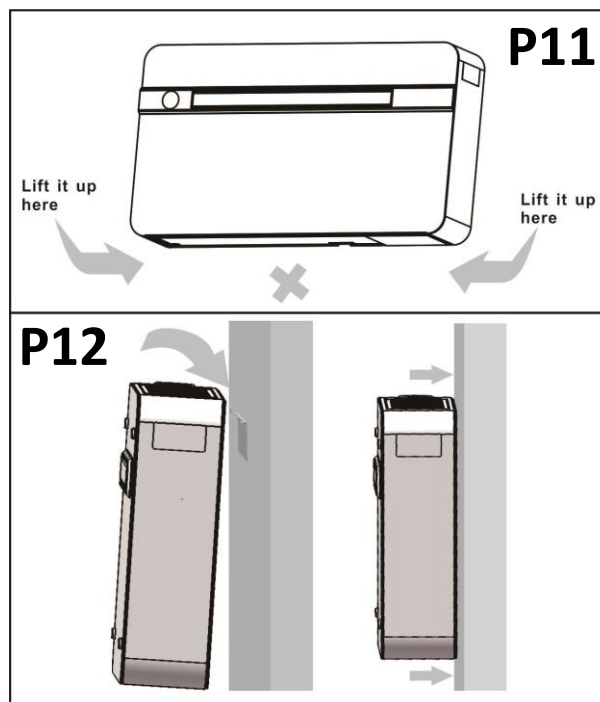
- Roll the sheet and insert it into the hole, paying attention to the joint line, which must be always upper position. Remember that the sheet must have the same inclination of the holes (min 3°).

-Insert the rings into the holes.



## 2.6 FITTLING THE AIR CONDITIONER ON BRACKET(P11, P11)

After checking again that the fastening bracket is securely fastened to the wall, and that any necessary preparations for electric connection and condensate drainage (if it needs) have been made, fasten the air conditioner to its supporting bracket. Lift it up by holding the sides at the bottom. Tilt the air conditioner slightly toward you to facilitate the operation of fastening it to the bracket. The air conditioner can now be pushed firmly against the wall. Inspect carefully the installation to make sure that the insulating back panel must fit firmly against the wall and there are no fissures at the back of the air conditioner.

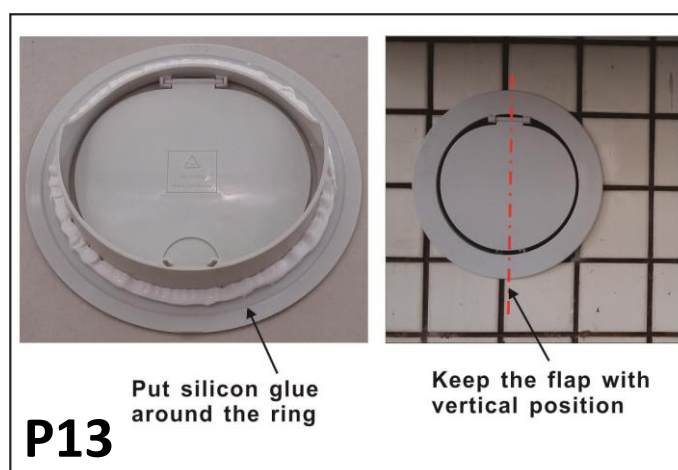


The appliance shall not be installed the laundry.  
 The appliance must be positioned so that the plug is accessible.  
 The appliance shall be installed in accordance with national wiring regulations.

## 2.7 FITTLING THE GRATINGS(P13)

To fit the external two gratings, please proceed as following:

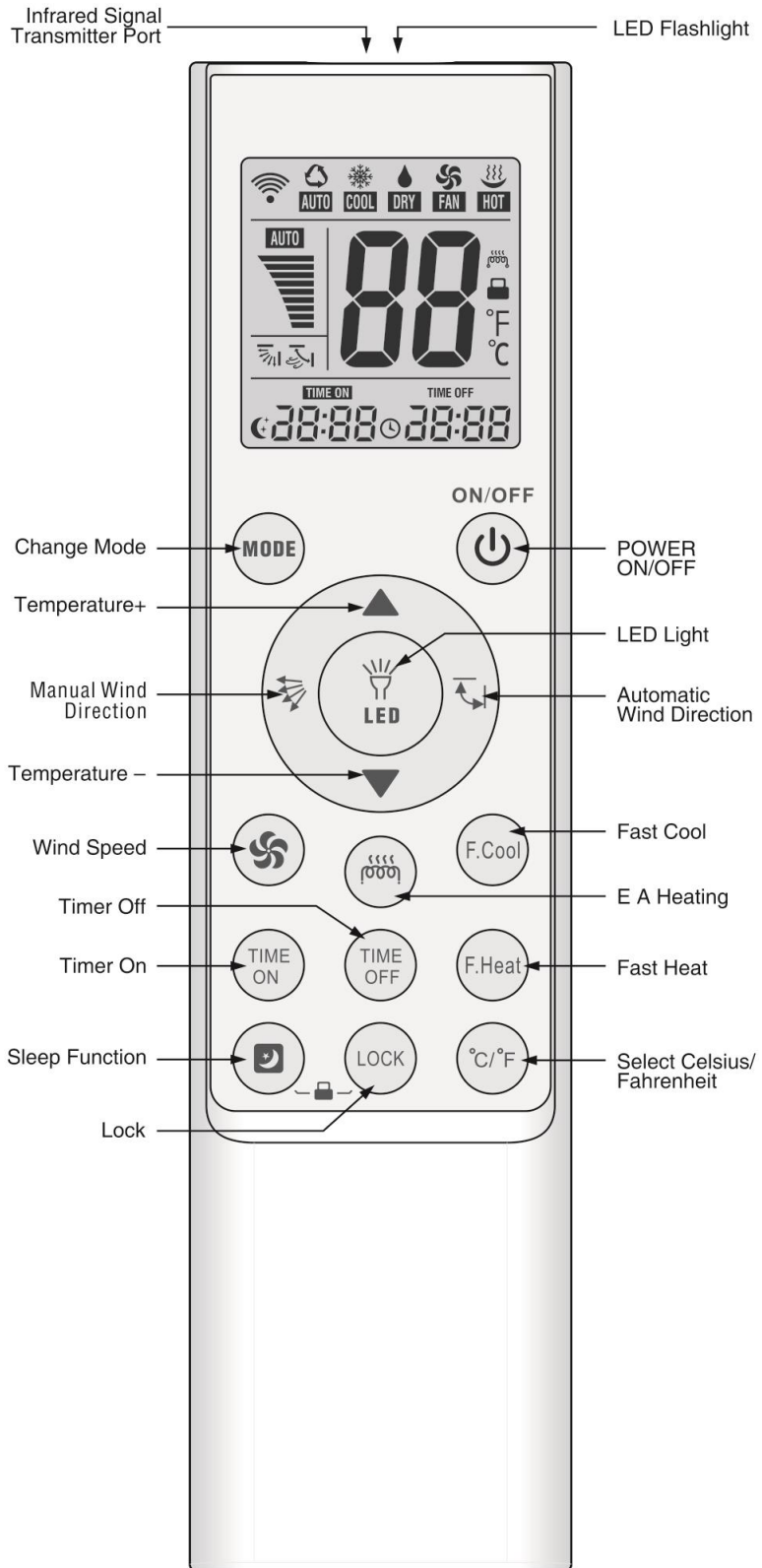
- Put the silicon glue around the ring, and fix the two gratings from outside.
- Pay attention the flap direction, always keep the shaft side with upper direction.
- Try to open and close the flap, should be no any interference.
- For gratings surface, we could paint them like the wall if necessary.



### 3 CONTROL OPERATION AND MAINTENANCE

#### 3.1 INTRODUCTION OF LCD ICONS

Icons	Means
	Auto
	Cooling
	Dry
	Fan
	Heating
	Fan speed
	Wind direction
	Display
	Electrical heat
	Lock
	Celsius/ Fahrenheit
	TIMER ON
	TIMER OFF



### 3.2 REMOTE CONTROL FUNCTIONS



#### 1. Celsius/Fahrenheit function “°C/°F” :



Press “°C/°F” button to switch between “Celsius” and “Fahrenheit”.

#### 2. Timer ON/OFF:


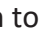

This function can be effective only when the original remote control has timer function. After pressing “TIMER ON” or “TIMER OFF” buttons, the timer indicator is displayed, and the A/C is now in timer state.

#### 3. Child Lock:

**Lock:** Press “ ” and “LOCK” buttons at the same time, then the “ ” icon will appear on the display screen.

**Unlock:** Press “ ” and “LOCK” buttons at the same time, then the “ ” icon will disappear from the display screen.

#### 4. Clock:

- 1) Press and hold “ ” and “MODE” buttons at the same time and the remote control will enter into a clock mode, with corresponding hour digits starting to flash.
- 2) Press “TEMP ▲ ” (TEMP ▼ ) button to increase (decrease) 1 hour at each press. Hold for 2 seconds to increase or decrease continuously.
- 3) Press “ ” button to complete setting the appropriate hour.
- 4) At this point, the corresponding minute digits begin to flash, use the “TEMP ▲ ” (TEMP ▼ ) button to set appropriate minutes.
- 5) After setting minutes, press “ ” button to quite clock settings.

#### 5. Fast cooling and fast heating:

**Fast cooling:** Press “F.COOL” button to set cooling mode, 18°C, strong wind and auto wind direction.

**Fast heating:** Press “F.HEAT” button to set heating mode, 30°C, strong wind and auto wind direction.


#### 6. Battery replacement memory:

The remote control’s chip has a built-in memory function, ensuring that there is no need to reset for a short-term power off like battery replacement etc.

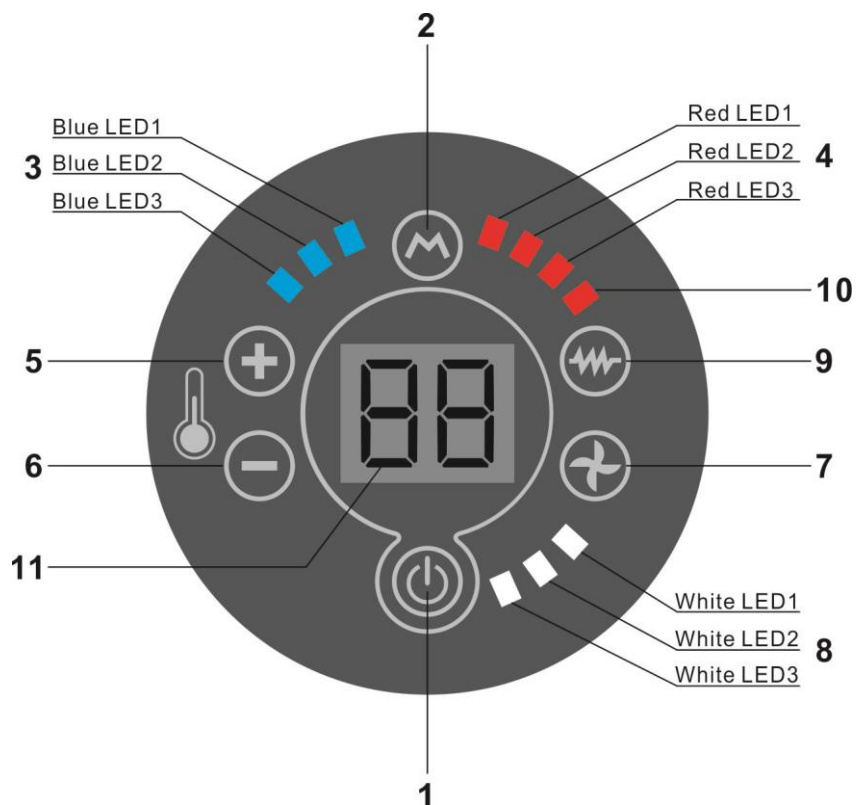
#### 7. Backlight

The backlight covers the whole panel. Press any button to light it, and it will switch off after 10 seconds if there is no operation.

#### 8. LED Flashlight

Press&hold the “LED  ” button to switch on the LED light, release it to switch it off.

### 3.3 ON BOARD CONTROL FUNCTION



1. **ON/OFF button:** Turn on or turn off the air conditioner.
2. **MODE button:** Set up the air conditioner working mode. COOLING, HEATING, FAN, DRY and AUTO mode are for selection. When DRY mode is acted, blue LED1 and red LED1 will be ON.
3. **COOLING LED:** Blue LED1, LED2, LED3 show cooling state.
4. **HEATING LED:** Red LED1, LED2, LED3 show heating state.
5. **UP button:** Increase the temperature or time.
6. **DOWN button:** Decrease the temperature or time.
7. **FAN SPEED button:** Set up the fan speed, High, Middle, Low and AUTO speed are for selection.
8. **FAN SPEED LED:** White LED1, LED2, LED3 relate fan speed state. LED1 ON means LOW speed; LED1 and LED2 ON means MIDDLE speed; LED1, LED2 and LED3 ON means HIGH speed. LED1, LED2 and LED3 flash means AUTO speed.
9. **ELECTRICAL HEAT button:** Turn on or Turn off the electrical heater.
10. **ELECTRICAL HEAT LED:** Shows the electrical heater state.
11. **TEMPERATURE/TIME/MODE display window:**

This window will show temperature, time, setting mode and working program.

- 1) Select working mode by pressing MODE button, window will show working mode signal for 5 seconds, then will display ambient temperature for 60 seconds. See below table for different signal indication:

Signal	Co	HE	dE	FA	AU
Mode	COOLING	HEATING	DRY	FAN	AUTO

- 2) After adjusting the setting temperature, the setting temperature will flash 15 seconds, then window will show ambient temperature for 60 seconds. After that, the window will be off until next operation.

### 3.4 HEATING MODE PROGRAM SETTING

Unit can work with 3 different heating modes. We can change the setting by pressing the buttons on command on board.

When unit is with standby condition, pressing both "MODE" and "FAN SPEED" buttons for 3 seconds,

If 1 beep from unit, the display will show 01 for 3 seconds, and unit will work with Program 1 heating mode. (Default setting from factory)

If 2 beep from unit, the display will show 02 for 3 seconds, and unit will work with Program 2 heating mode.

If 3 beep from unit, the display will show 03 for 3 seconds, and unit will work with Program 3 heating mode.

Program 1 is default program from factory setting. Unit will work with PTC heating for silent operation purpose in heating. Compressor and outdoor will not work with Program 1.

Program 2: When unit works with High and Middle speed, compressor and outdoor fan will work in heating mode. When unit works with Low speed, only PTC works in heating mode for silent purpose.

Program 3: Unit will work with compressor in heating mode.

### 3.5 TEMPERATURE COMPENSATION SETTING

#### 1. Temperature compensation setting for cooling mode:

When unit is with standby condition, pressing both "MODE" and "DOWN" buttons for 3 seconds, the display will show "+2". It is default setting from factory. Means, when detected temperature is 22°C, display will show 24°C. The adjustment range is -3,-2,-1,0,+1,+2,+3. By pressing "UP" and "DOWN" buttons, we can select the data to meet the different environment.

#### 2. Temperature compensation setting for heating mode:

When unit is with standby condition, pressing both "MODE" and "UP" buttons for 3 seconds, the display will show "-2". It is default setting from factory. Means, when detected temperature is 22°C, display will show 20°C. The adjustment range is -3,-2,-1,0,+1,+2,+3. By pressing "UP" and "DOWN" buttons, we can select the data to meet the different environment.

#### 3. Temperature setting for outdoor motor speed alternation and defrost cycle:

When unit is with standby condition, pressing both "MODE" and "ELECTRICAL HEAT" buttons for 3 seconds, the display will show "0". It is default setting from factory.

The adjustment range is 0, 1, 2, 3. By pressing "UP" and "DOWN" buttons, we can select the data to meet the different environment.

"0" Means, outdoor motor speed alternation temperature is -3°C, defrost cycle temperature is -8°C.

"1" Means, outdoor motor speed alternation temperature is -2°C, defrost cycle temperature is -7°C.

"2" Means, outdoor motor speed alternation temperature is -1°C, defrost cycle temperature is -6°C.

"3" Means, outdoor motor speed alternation temperature is 0°C, defrost cycle temperature is -5°C.

### 3.6 MAINTENANCE (P14,P15,)

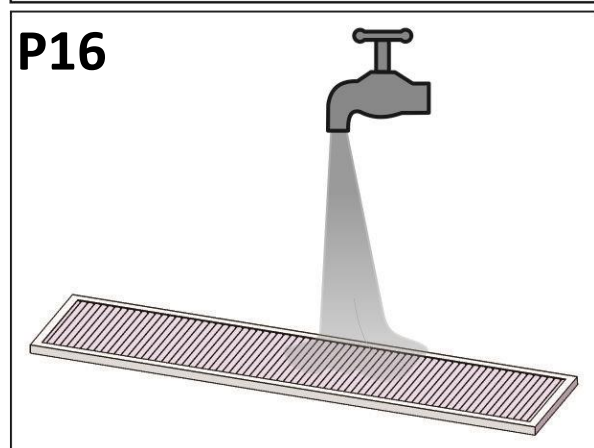
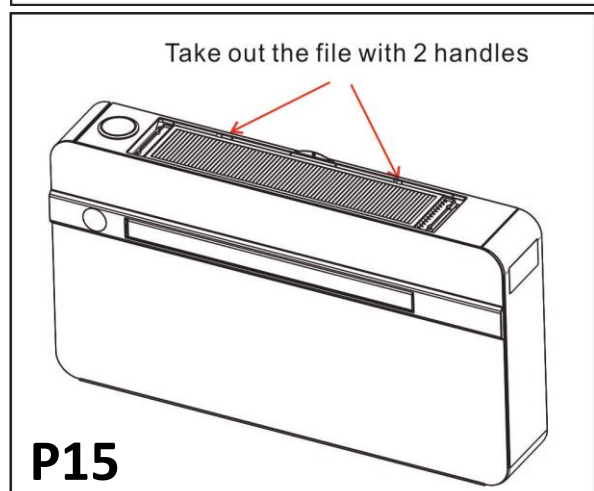
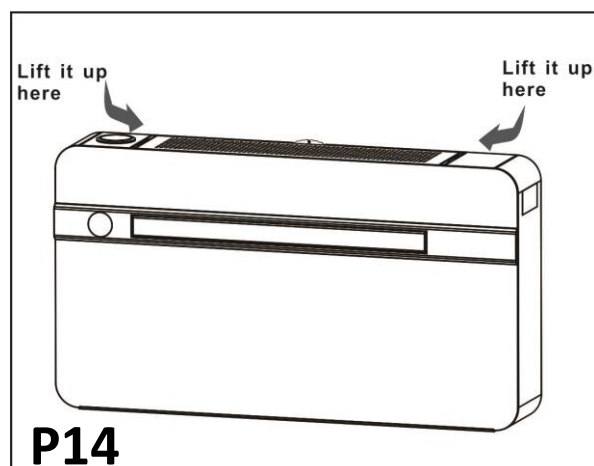
#### FILTER CLEANING:

The filter should be regularly cleaned to keep the air conditioner running efficiently. Clean the filter every two weeks.

How to proceed:

- Disconnect the air conditioner from the electrical supply.
- Remove the top inlet grille as pic showed. (P14)
- Take out the filter as shown. (P15)
- Proceed to wash it (not use hot water) and only when they are dried replace them in the same way.

ATTENTION: Do not use the air conditioner without filter as it could seriously damage the air conditioner.



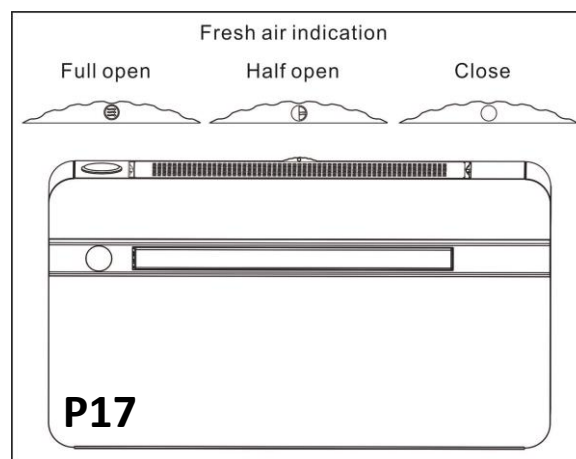
#### EXTERNAL CLEANING:

- Disconnect the air conditioner from the electrical supply.
- Wipe external surfaces clean with a damp cloth only.
- Do not use an abrasive cloth and/or solvents, as this may damage the surfaces.
- Do not use excessively wet cloth or sponges, as water stagnation could damage the air conditioner and compromise safety.

### 3.7 FRESHA AIR SYSTEM

When the fresh air system is open, the air conditioner will change the room air automatically, in this way new clean and fresh air will intake to the room. You can open or close the fresh air system any moment.

If the air fresh system is close, the air conditioner performance is more high, so we suggest to maintain the fresh air system closed and open it just a few minutes per day.



### 3.7 PROBLEM SOLVING



-If the supply cord damaged, it must be replaced by manufacture or its service agent or a similar qualified person in order to avoid a hazard.

- The unit has Auto-restart function. When electrical current is switched off during working mode, the unit would stop working. When electrical current is switched on, unit would work with former working mode automatically, no need to Turn ON the unit by remote control.

-The max operation temperature for the air conditioner (max cooling: outdoor DB43°C/WB26°C, indoor DB32°C/WB23°C; min heating: outdoor DB-5°C/WB-6°C, indoor DB20°C).

-This appliance is not intended for use by person(including children) with reduced physical, sensory or mental capabilities, or lack of experience and knowledge, unless they have been given supervision or instruction concerning use of the appliance by a person responsible for their safety.

-Children should be supervised to ensure that they do not play with the appliance.



## 4 ACCESSORY INSTALLATION

### 4.1 SILENT HYBRID WATER CONNECTION

Hot water exchanger is a useful option to replace water radiator below the window, improving machine performance and energy saving for your room installation .

-To install this you must remove the plastic outlet frame and glass panel first. (P18)

- Be careful, do not damage the glass panel.

- Remove the 2pcs screws and plastic buckles carefully. (P19)

- Then remove the glass panel carefully.

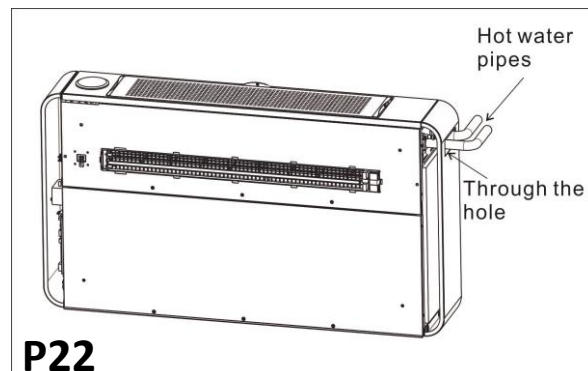
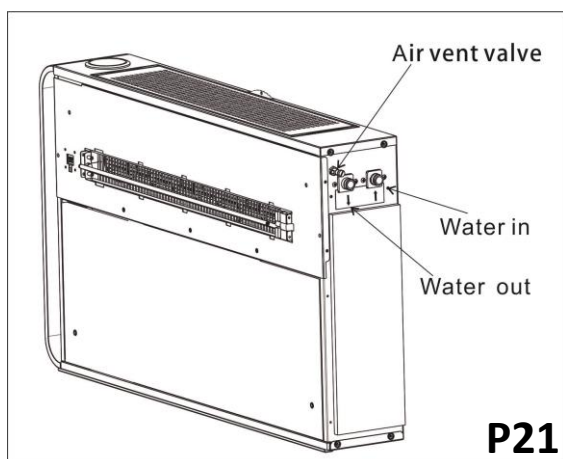
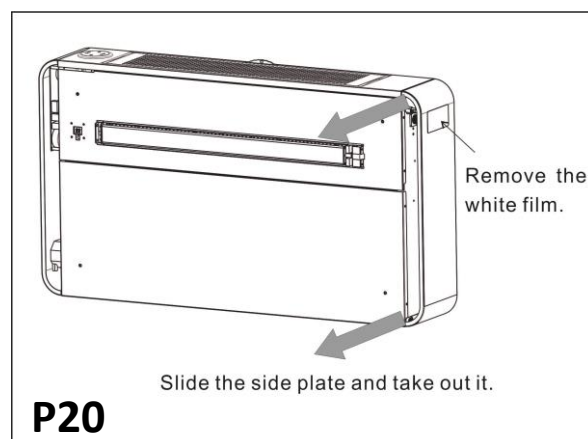
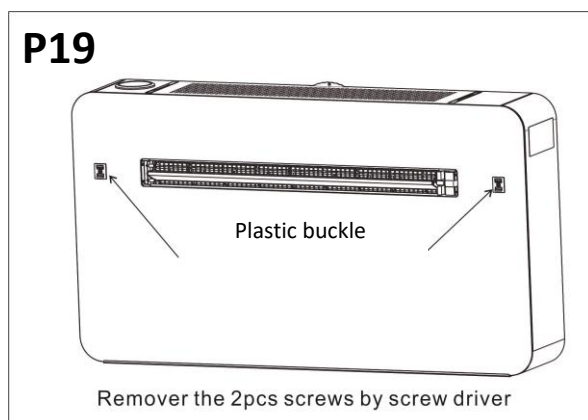
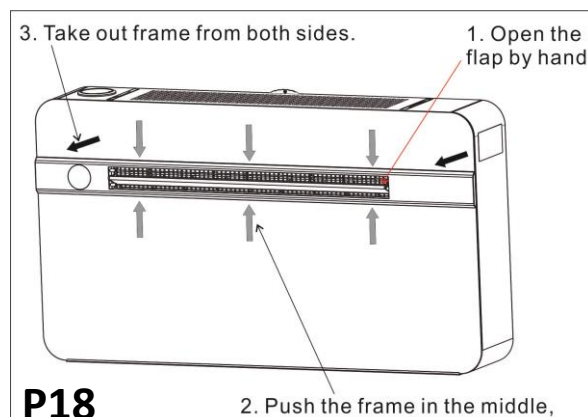
-Slide the side plate as arrow direction, and take out the side plate. (P20)

-Connect inlet & outlet water pipe well. Check carefully, if necessary, need to pass the pipes through the side plate first. (P21,P22)

- Fix the side plate same solution like removing it.

-Open the water system device. Open the air purge valve to release the air inside the exchanger. If there is no air inside the air purge pipe, close the valve. And check the hydraulic seal of the gasket.

- Fix the glass panel and outlet plastic frame. Be careful, no damage the glass panel.

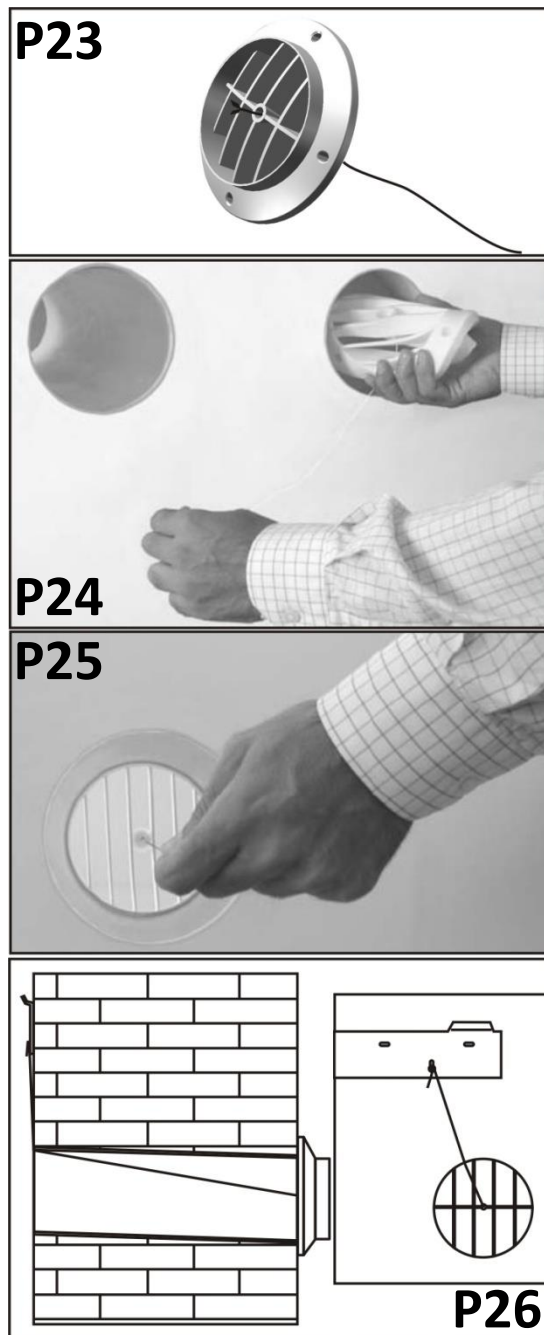


## 4.2 SOFT GRATINGS INSTALLATION

To fix the external two soft gratings, please proceed as following:

Familiarize yourself with the fitting of the grating to the tube before installation. Insert the cords through the centre hole of grating. Fold the outer grating in half grasping the cord with your free hand. Insert your arm inside the pipe with the grating and push all the way to the outside. Let the grating unfold and pull the cord toward you. Both gratings fit on the inside of the tube. With a little patience and manipulation the 2 gratings will fit the end of the tubes. Grasping the cord, insert our fingers between the fins and pull the grating toward you until the same is properly slipped in the pipe, keeping the fins in vertical position.

If the external grating is accessible to prevent its removal, it is recommended to fasten it to the wall with wall plugs and screws with a diameter of 6mm. Tighten the cord and fasten it to the dent on the internal flanges.



**Smaltimento delle apparecchiature obsolete**  
**Disposal of your old appliance**  
**Entsorgung von Altgeräten**  
**Élimination des appareils obsolètes**  
**Como deshacerse de aparatos eléctricos y electrónicos viejos**  
**Eliminação do seu antigo aparelho**



IT

### Smaltimento delle apparecchiature obsolete

1. Quando su un prodotto è riportato il simbolo di un bidone della spazzatura sbarrato da una croce significa che il prodotto è coperto dalla Direttiva Europea 2002/96/EC.
2. Tutti i prodotti elettrici ed elettronici dovrebbero essere smaltiti separatamente rispetto alla raccolta differenziata municipale, mediante impianti di raccolta specifici designati dal governo o dalle autorità locali.
3. Il corretto smaltimento delle apparecchiature obsolete contribuisce a prevenire possibili conseguenze negative sulla salute umana e sull'ambiente.
4. Per informazioni più dettagliate sullo smaltimento delle apparecchiature obsolete, contattare il comune, il servizio di smaltimento rifiuti o il negozio in cui è stato acquistato il prodotto.

FR

### Élimination des appareils obsolètes

1. Quand figure sur un produit le symbole représentant une poubelle barrée d'une croix, cela indique que le produit est assujéti à la Directive européenne 2002/96/EC.
2. Tous les appareils et composants électriques et électroniques doivent être éliminés auprès de déchetteries spécifiques indiquées par les pouvoirs publics nationaux ou par les autorités locales.
3. La bonne élimination des appareils obsolètes contribue à prévenir les conséquences dommageables pour la santé des personnes et pour l'environnement.
4. Pour plus d'informations concernant l'élimination des appareils obsolètes, veuillez contacter votre mairie, le service d'élimination des ordures ou encore le magasin où le produit a été acheté.

UK

### Disposal of your old appliance

1. When this crossed-out bin symbol appears on a product it means that the product is covered by European Directive 2002/96/EC.
2. All electrical and electronic products should be disposed of separately from the municipal waste stream via specific collection facilities designated by the government or the local authorities.
3. Proper disposal of your old appliance will help prevent potential negative consequences for the environment and human health.
4. For more detailed information about disposal of your old appliance, please contact your municipality, the waste disposal service or the shop where you purchased the product.

ES

### Como deshacerse de aparatos eléctricos y electrónicos viejos

1. Si en un producto aparece el símbolo de un contenedor de basura tachado, significa que este se acoge a la Directiva 2002/96/EC.
2. Los aparatos eléctricos no se deben desechar junto con los residuos domésticos, sino a través de puntos de recogida designados por el gobierno o las autoridades locales.
3. La correcta recogida y tratamiento de los dispositivos inservibles contribuye a evitar riesgos potenciales para el medio ambiente y la salud pública.
4. Para obtener más información sobre cómo deshacerse de sus aparatos eléctricos y electrónicos viejos, póngase en contacto con su ayuntamiento, el servicio de recogida de basuras o el establecimiento donde adquirió el producto.

DE

### Entsorgung von Altgeräten.

1. Wenn dieses Symbol eines durchgestrichenen Abfalleimers auf einem Produkt angebracht ist, unterliegt dieses Produkt der europäischen Richtlinie 2002/96/EC.
2. Alle Elektro- und Elektronik-Altgeräte müssen getrennt vom Hausmüll über dafür staatlich vorgesehene Stellen entsorgt werden.
3. Eine ordnungsgemäße Entsorgung des Altgeräts trägt dazu bei, Schäden an der Umwelt und der menschlichen Gesundheit zu vermeiden.
4. Weitere Informationen zur Entsorgung des Altgeräts erhalten Sie bei der Stadtverwaltung, beim Entsorgungsamt oder in dem Geschäft, in dem Sie das Produkt erworben haben.

PT

### Eliminação do seu antigo aparelho

1. Quando este símbolo de caixote do lixo com uma cruz em cima estiver afixado a um produto, significa que o produto se encontra abrangido pela Directiva Europeia 2002/96/EC.
2. Todos os produtos eléctricos e electrónicos devem ser eliminados separadamente do lixo doméstico através de pontos de recolha designados para o efeito pelo governo ou pelas autoridades locais.
3. A eliminação correcta do seu aparelho antigo ajuda a evitar potenciais consequências negativas para o ambiente e para a saúde humana.
4. Para obter informações mais detalhadas acerca da eliminação do seu aparelho antigo, contacte as autoridades locais, um serviço de eliminação de resíduos ou a loja onde comprou o produto.